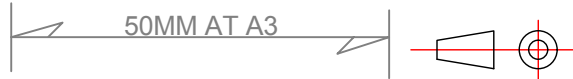
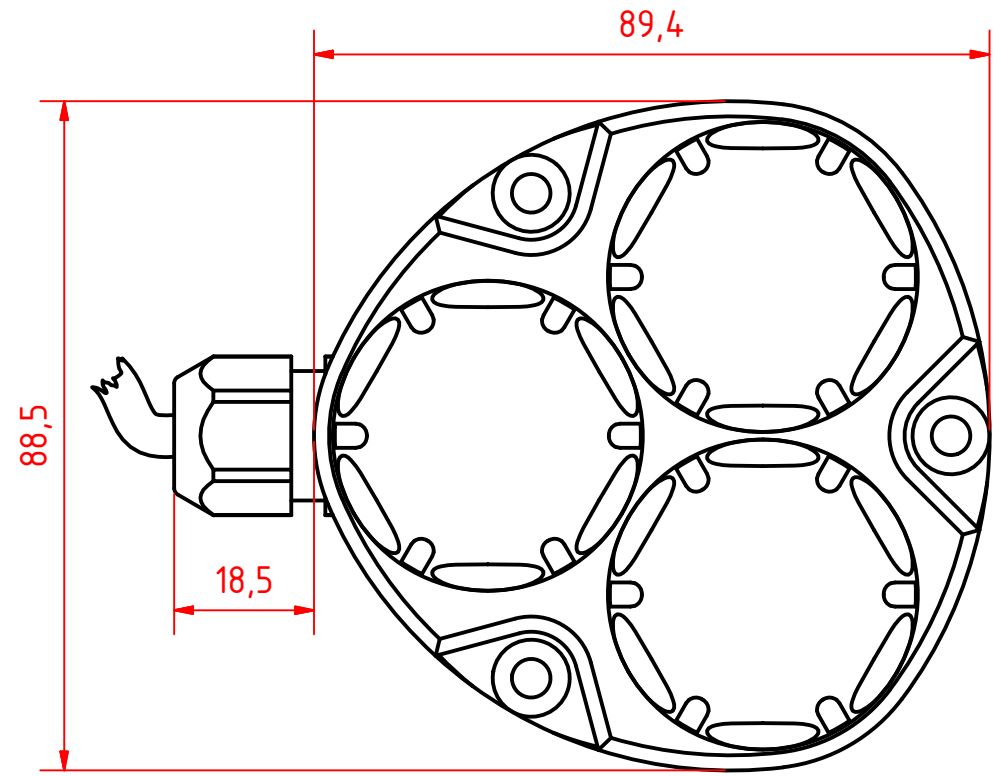
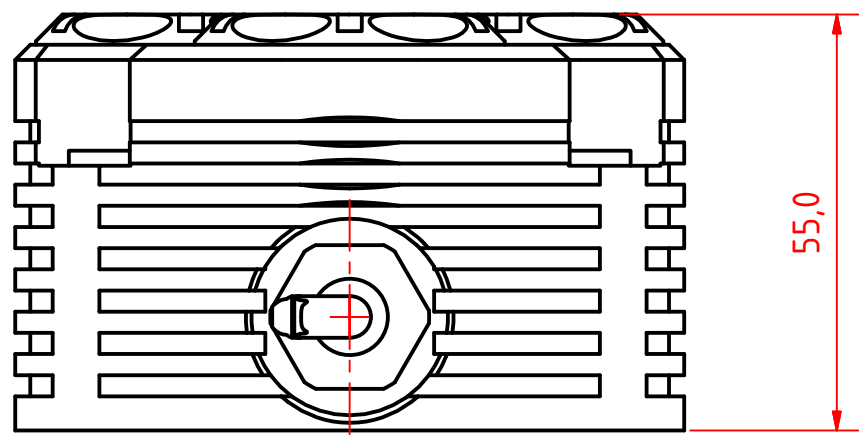
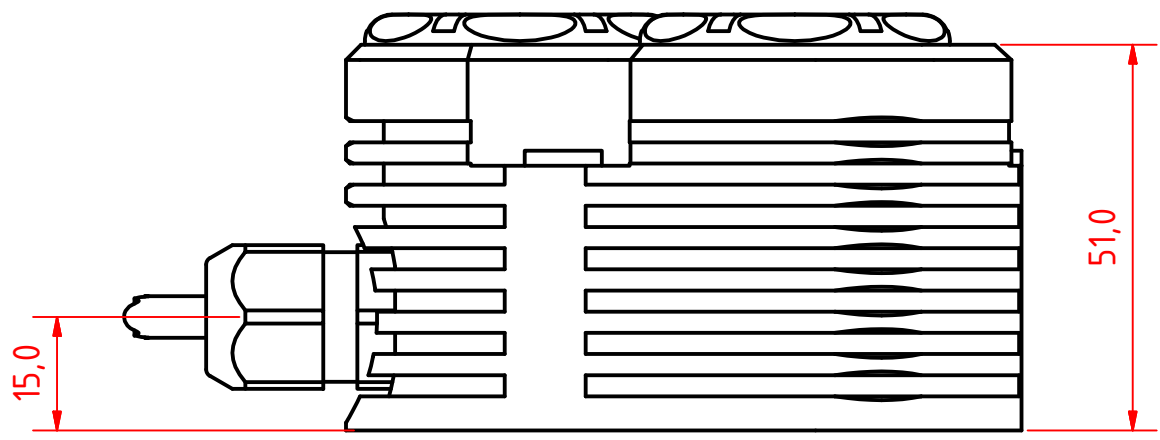
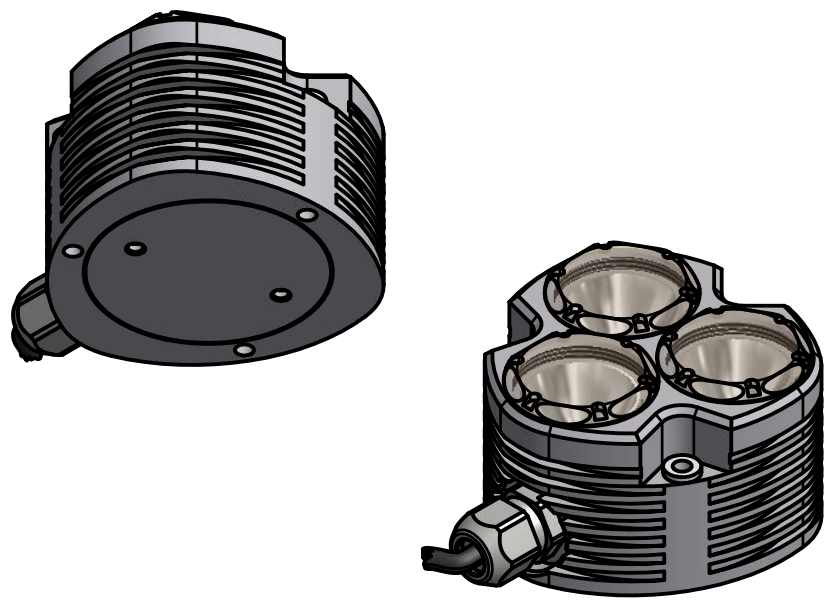
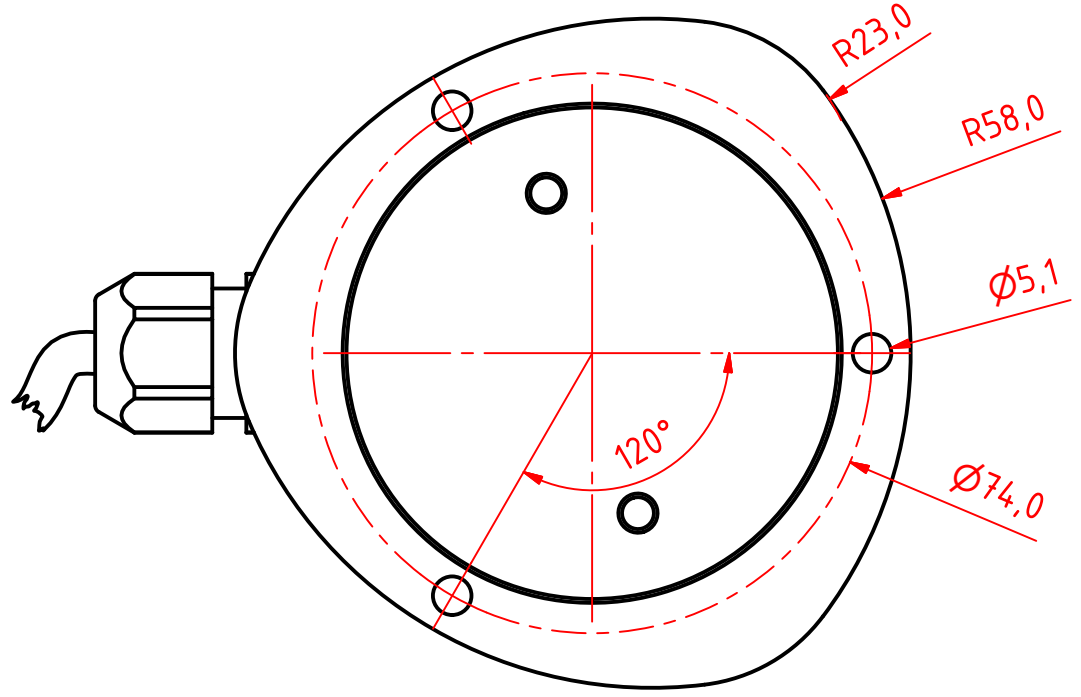


A B C D E F G H J

1  
2  
3  
4  
5  
6  
7  
8



400-080-036 Spreader Light

DRAWING NO.: 400-080	REV. NO.: 0	SIZE: A3	DRAWN BY: Paul
SCALE: 1:1	TOLERANCES: DS/ISO 2768-f	REVIEWED BY: JM	

MATERIAL DESCRIPTION:  
Aluminium & Acrylic

This Drawing, and the information within, is the property of Lopolight ApS and may not be used in any form without express permission there from. Lopolight reserves the right to change this drawing and assumes no liability for the information communicated herein. Use of dimensions and other information in this drawing is at the users own risk.



Lopolight ApS  
Ved Klaedebo 12  
DK-2970, Hoersholm  
Denmark

www.lopolight.com

Tel:(+45) 32 48 50 30 Fax:(+45) 32 48 50 32  
info@lopolight.com

A B C D E F G H J