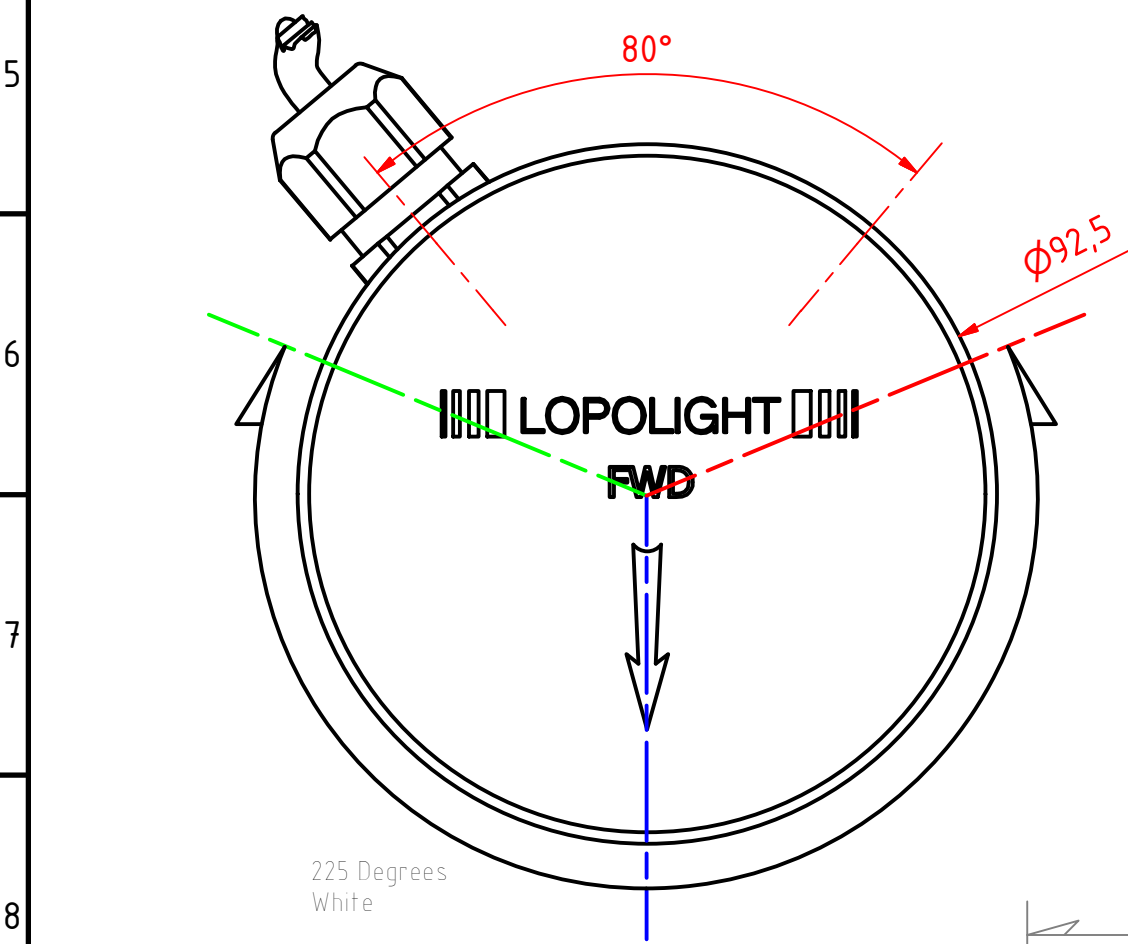


Cable Glands in nickle plated brass. Cable exit can be established as port or starbord aft exit, or port or starboard cable down versions. This lantern can also be mounted on Lopolight mouting flange model nr. 400-401 to allow securement from abov.



M16 X 1,5mm Cabel Gland

M6x1 - 6H

300-036 5nm Masthead, Horizontal Mount

DRAWING NO.: 300-036	REV. NO.:	SIZE: A3	DRAWN BY: Paul
SCALE: 1:1	TOLERANCES: DS/ISO 2768-f	REVIEWED BY: PHH	

MATERIAL DESCRIPTION:
Aluminium

This Drawing, and the information within, is the property of Lopolight ApS and may not be used in any form without express permission there from. Lopolight reserves the right to change this drawing and assumes no liability for the information communicated herein. Use of dimensions and other information in this drawing is at the users own risk.



Lopolight ApS
Ved Klaedebo 12
DK-2970, Hoersholm
Denmark

Tel:(+45) 32 48 50 30 Fax:(+45) 32 48 50 32
info@lopolight.com

50MM AT A3